

M&M Industries, Inc.

800 West Front Street

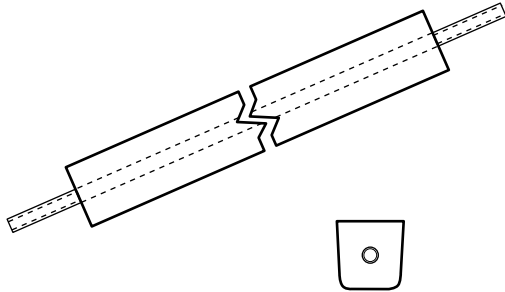
Chester, PA 19013

Tel (610) 447 0663 Fax (610) 447 0994

Website: www.mmanodes.com

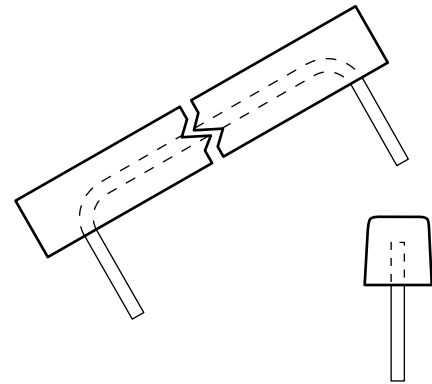
ALUMINUM

Structural / Platform



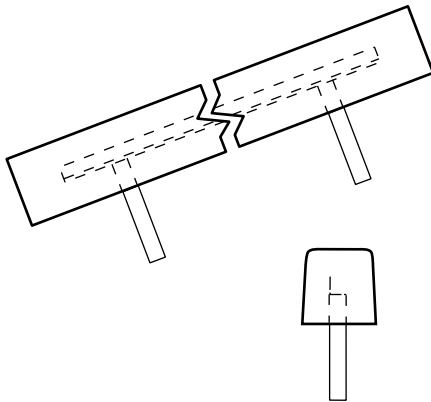
Type "A" Straight through pipe extending out both ends

Type "F" Straight through pipe extending out one end

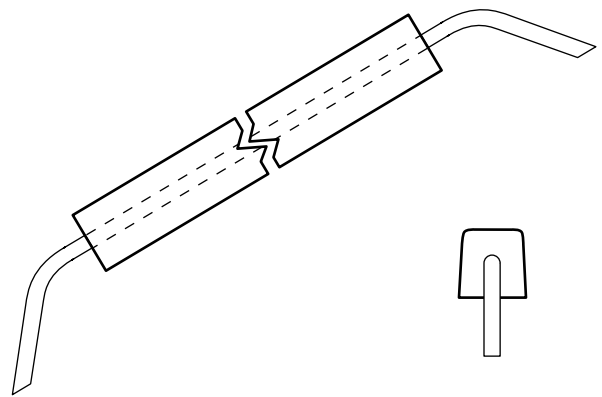


Type "B" 90° bent pipe out end of anode

Type "G" 90° bent pipe out bottom of anode (shown)



Type "C" Pipe welded to angle core out bottom of anode



Type "D" 45° bent pipe out end of anode (shown)

Type "H" 45° bent pipe out bottom of anode

Net Weight Aluminum Anode	Nominal Dimensions Aluminum Anode	Cast-in Steel core
------------------------------	--------------------------------------	-----------------------

325 Lbs.	6½" x 6½" x 96"	2" Sch. 80 steel pipe
365 Lbs.	8" x 8" x 60"	2½" Sch. 80 steel pipe
450 Lbs.	8" x 7½" x 84"	2½" Sch. 80 steel pipe
490 Lbs.	8" x 7" x 96"	2½" Sch. 80 steel pipe
725 Lbs.	9½" x 9½" x 96"	4" Sch. 80 steel pipe
825 Lbs.	12" x 12" x 60"	4" Sch. 80 steel pipe

Type "E" Eyebolt core

All dimensions are in inches

All weights are in pounds

Drawings are not to scale

Other anode sizes available

Other core configurations available

THE RIGHT PRODUCT · THE RIGHT TIME · THE RIGHT PRICE